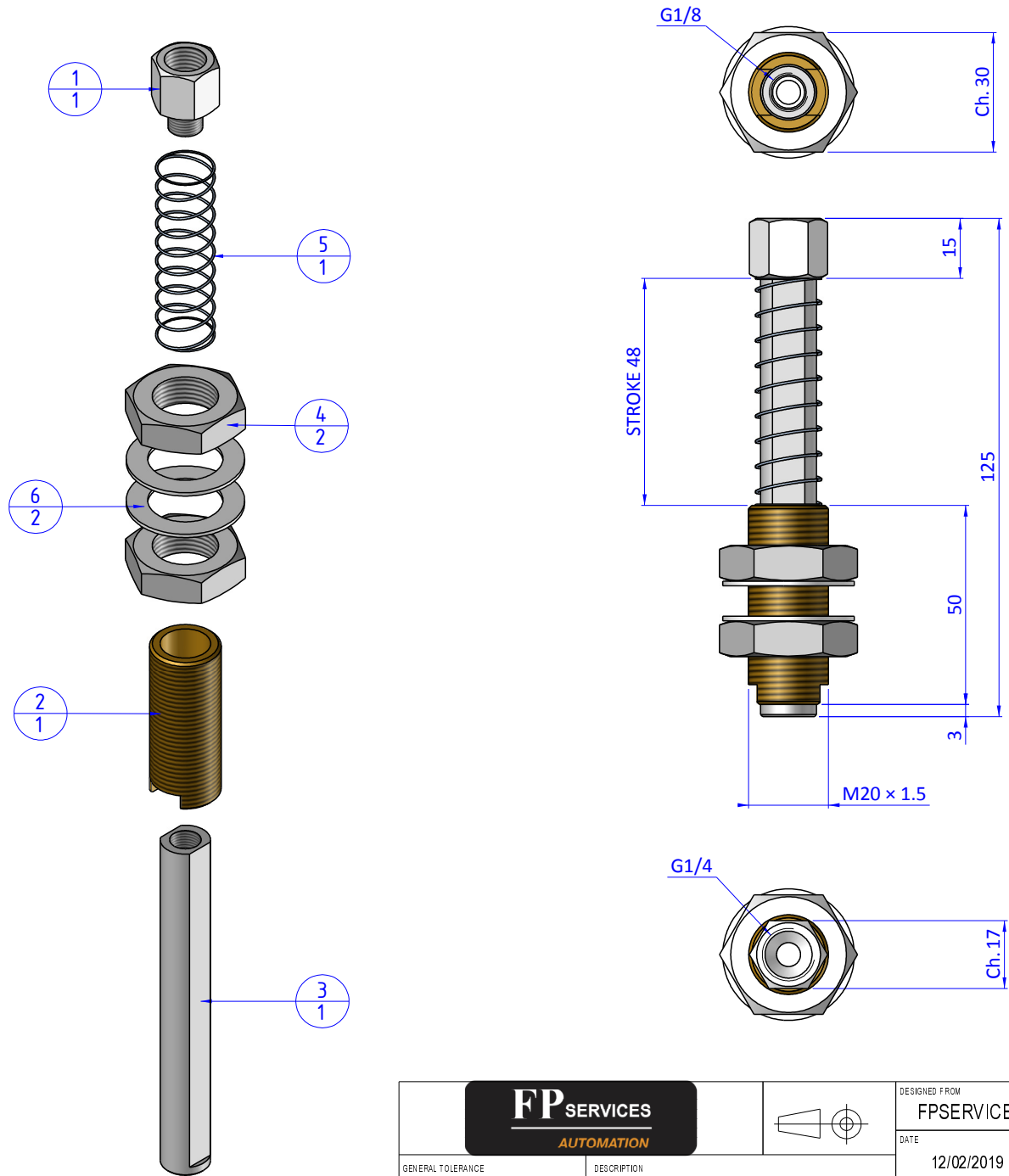


THE PROPERTY OF THE DRAWING IS ESTABLISHED BY LAW. IT IS FORBIDDEN TO PRODUCE OR SHOW IT TO THIRD PARTY, WITHOUT A WRITTEN AGREEMENT.

| Item | Name | Q.ty |
|------|--------------|------|
| 1 | 05.02.001.01 | 1 |
| 2 | 05.02.001.02 | 1 |
| 3 | 05.02.001.05 | 1 |
| 4 | 05.02.001.06 | 2 |
| 5 | M.16x70 | 1 |
| 6 | R.20.SCH | 2 |



Format A3

UNI 936-76

| | | | |
|-------------------|--------------|---------------|--------------|
| | | DESIGNED FROM | REVIEW |
| | | FP SERVICES | A |
| GENERAL TOLERANCE | DESCRIPTION | DATE | WEIGHT |
| UNI - ISO 2768 | CA.05.01.002 | 12/02/2019 | 0,097kg |
| CLASSE f | | CODE | CA.05.01.002 |